

Order for specialist retaining straps

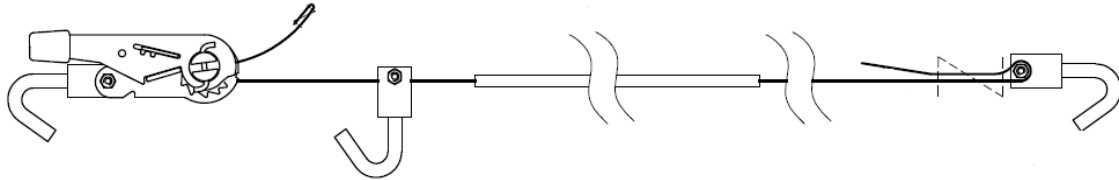
Customer*:

Customer order ref.:

Purchaser*:

Standard: EN 12195-2

Order date*:



LOHR SERVICE part number:	Supplier part number :
---------------------------	------------------------

STRAP COLOUR*	Red		SLEEVE COLOUR*	Red	
	Blue			Blue	
	Grey			Grey	
	Green			Green	
	Yellow			Yellow	
	Orange			Orange	

MARKING ON STRAP IN BLACK	TEXT TO PRINT :
---------------------------	-----------------

PRICE / DELIVERY	Minimal quantity, units per type	TYPE OF STRAP*		
		35 mm Strap = 2 800 mm Sleeve = 750 mm	50 mm Strap = 2 800 mm Sleeve = 750 mm	50 mm heavy trucks Strap = 5 000 mm Sleeve = 1 750 mm
PRICE 6 weeks delivery	> 250	12,95 € excl. VAT / unit	15,45 € excl. VAT / unit	21,95 € excl. VAT / unit
QUANTITY*				
PRICE 16weeks delivery	> 500	11,45 € excl. VAT / unit	13,45 € excl. VAT / unit	18,95 € excl. VAT / unit
QUANTITY*				
Plastified handle, rotating hooks, customization according to the choice above (except the inner sleeve rubber that is green) 10 pcs per carton for car straps / 8 pcs per carton for heavy truck straps.				

*area to be filled

LOHR Service

Adresse postale : 29 rue du 14 juillet - CS 50191 - 67980 HANGENBIETEN (France)

Siège social : 29 rue du 14 Juillet - 67980 HANGENBIETEN (France)

Téléphone +33 (0)3 88 38 98 00 - Fax +33 (0)3 88 96 06 36 - sav@lohr.fr - www.lohr.fr

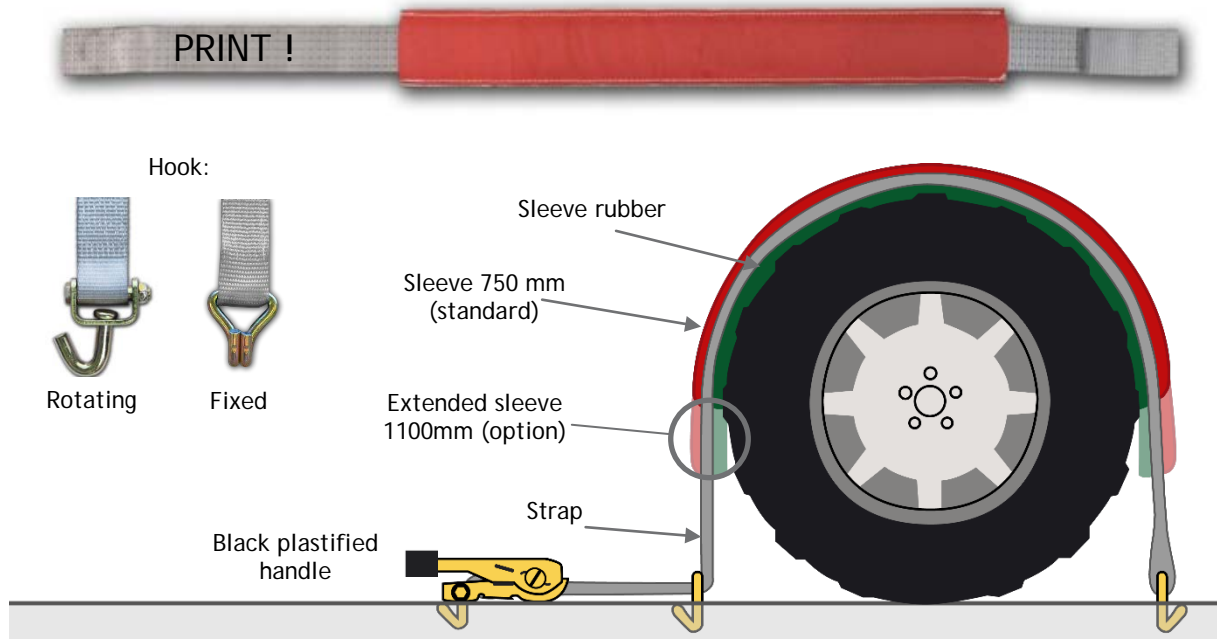
OPTIONS

OPTIONS	Fixed central hook	Standard plastified label	Extended sleeve 1100 mm (for car straps exclusively)
PRICE	0,20 € excl. VAT / unit	0,15 € excl. VAT / unit	0,95 € excl. VAT / unit

"Cover" LABEL ON SLEEVE	Black customer logo on white background	Provide the customer's logo in JPEG format and of good quality 1 colour print only for delivery in 6 weeks
	Customer logo on white background	Provide the customer's logo in JPEG format and of good quality Bi-colour print only for delivery in 16 weeks
PRICE	0,65 € excl. VAT / unit	

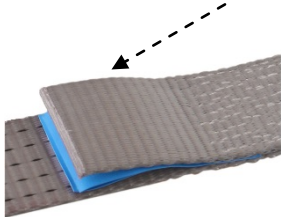
Customer signature

Explanatory note : « Standard » / « Options » :



- | | |
|--|---|
| <p>Standard:</p> <ul style="list-style-type: none"> Print colour Strap and sleeve colour on request | <p>Options :</p> <ul style="list-style-type: none"> Sleeve rubber colour green • Extended sleeve 1100mm • Fixed hook |
|--|---|

12195-2 Standard label



The label indicates all the important information such as the date of manufacture, the manufacturer, and the load capacity (LC). It is strongly stitched onto the strap and is protected by the label's overlap. A warning label is included, to prevent handling errors.

Optional : Plastified label

“Cover” label with customer logo on sleeve

(1 colour logo only for delivery in 6 weeks, bi-colour logo only for deliver in 16 weeks)

35 mm (90x60) and 50 mm (105x75)

